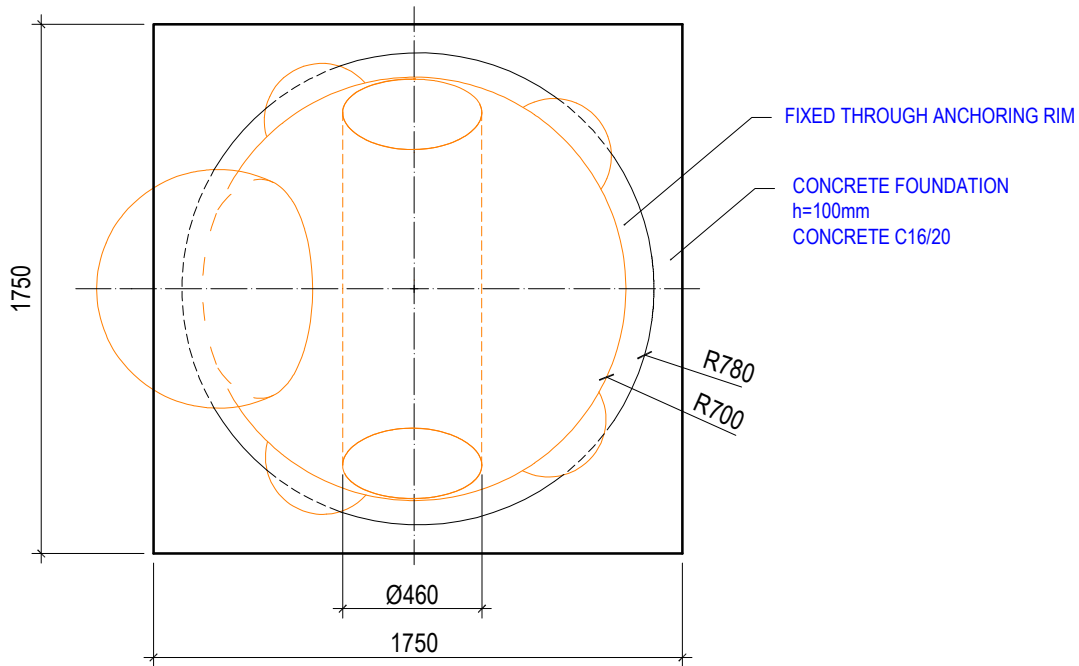
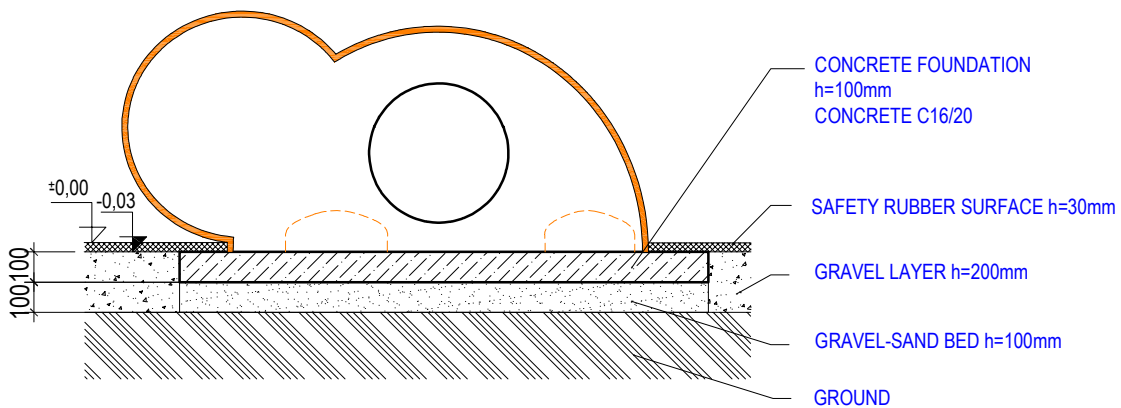


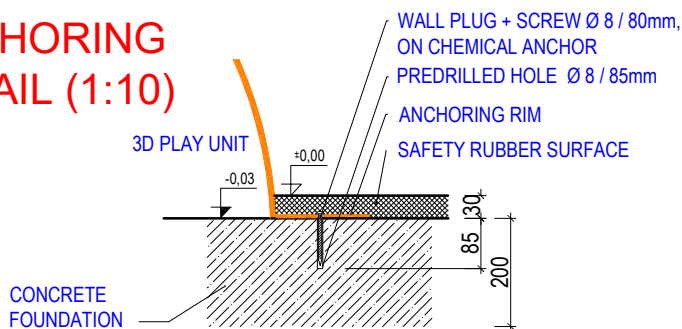
GROUND PLAN (1:25)




SECTION (1:25)



ANCHORING DETAIL (1:10)



Author:		3D PROGRAM, s.r.o.	
MgA. Maxmilián Blšták		Objizdná 1911 765 02 Otrokovice Tel: 602 500 045 Email: info@3dprogram.eu	
3D PLAY UNIT ANCHORING		Certified according to	EN71 , EN1176
C06 - TIGER C07 - TURTLE C10 - DOG C11 - FROG C14 - PIG	C16 - LION C18 - CAT C19 - HEDGEHOG C20 - HIPPO C21 - COW	C22 - HARE C23 - WOLF C24 - ELEPHANT C27 - RHINO C29-G - GRIZZLY	C29-P PANDA C32 - MOLE C33 - CAPYBARA C36 - SHEEP
Foundation and anchoring - ground plan and section		Date of issue	22.2.2021
		M 1:25, 1:10	format 1xA4
		C_EN.dwg	revision 0